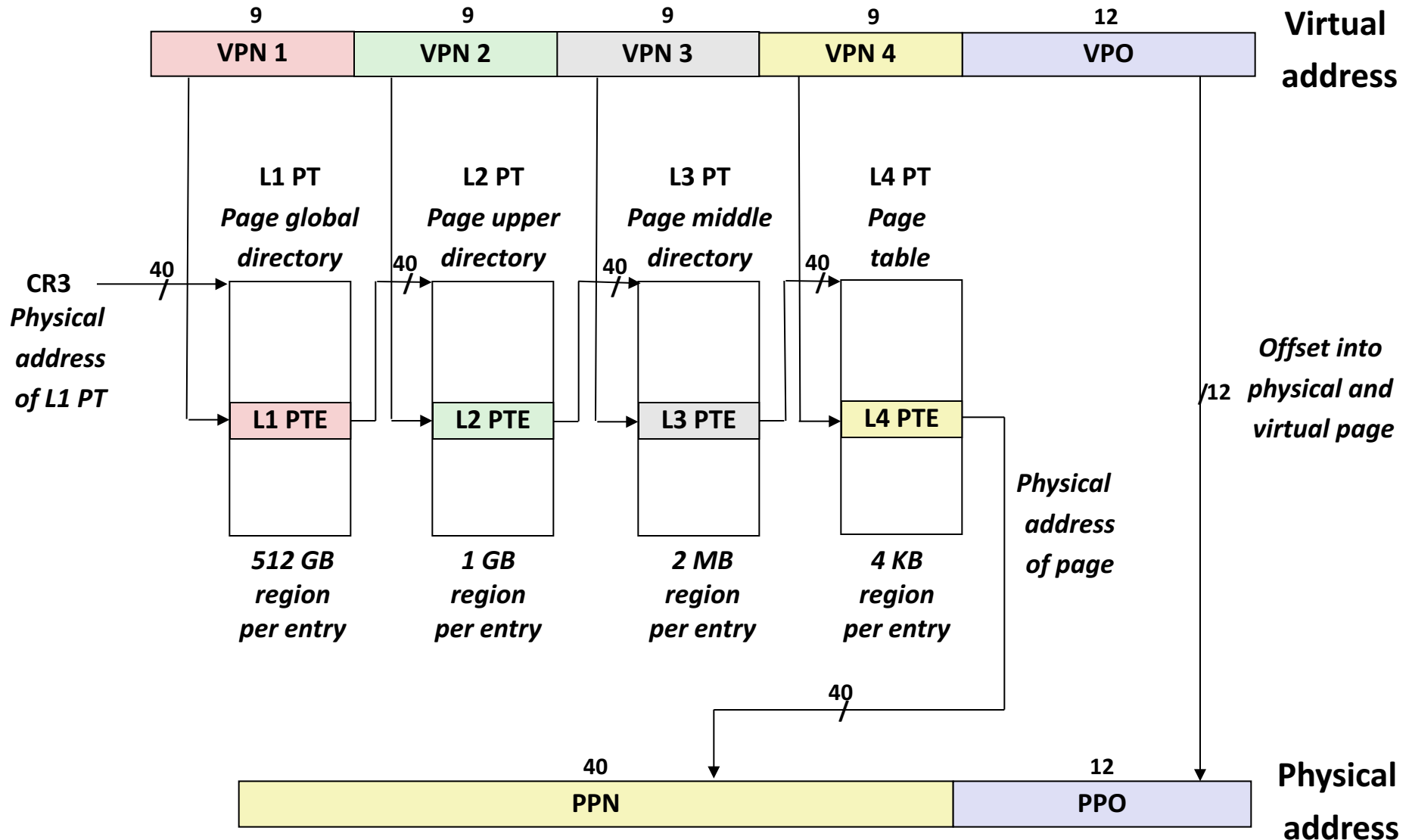


Core i7 Page Table Translation



Review of Symbols

■ Basic Parameters

- $N = 2^n$: Number of addresses in virtual address space
- $M = 2^m$: Number of addresses in physical address space
- $P = 2^p$: Page size (bytes)

■ Components of the virtual address (VA)

- **TLBI**: TLB index
- **TLBT**: TLB tag
- **VPO**: Virtual page offset
- **VPN**: Virtual page number

■ Components of the physical address (PA)

- **PPO**: Physical page offset (same as VPO)
- **PPN**: Physical page number
- **CO**: Byte offset within cache line
- **CI**: Cache index
- **CT**: Cache tag

Core i7 Level 1-3 Page Table Entries

63	62	52	51	12	11	9	8	7	6	5	4	3	2	1	0
XD	Unused	Page table physical base address			Unused	G	PS		A	CD	WT	U/S	R/W	P=1	
Available for OS														P=0	

Each entry references a 4K child page table. Significant fields:

P: Child page table present in physical memory (1) or not (0).

R/W: Read-only or read-write access access permission for all reachable pages.

U/S: user or supervisor (kernel) mode access permission for all reachable pages.

WT: Write-through or write-back cache policy for the child page table.

A: Reference bit (set by MMU on reads and writes, cleared by software).

PS: Page size: if bit set, we have 2 MB or 1 GB pages (bit can be set in Level 2 and 3 PTEs only).

Page table physical base address: 40 most significant bits of physical page table address (forces page tables to be 4KB aligned)

XD: Disable or enable instruction fetches from all pages reachable from this PTE.

Core i7 Level 4 Page Table Entries

63	62	52	51	12	11	9	8	7	6	5	4	3	2	1	0
XD	Unused	Page physical base address				Unused	G		D	A	CD	WT	U/S	R/W	P=1
Available for OS (for example, if page location on disk)															P=0

Each entry references a 4K child page. Significant fields:

P: Child page is present in memory (1) or not (0)

R/W: Read-only or read-write access permission for this page

U/S: User or supervisor mode access

WT: Write-through or write-back cache policy for this page

A: Reference bit (set by MMU on reads and writes, cleared by software)

D: Dirty bit (set by MMU on writes, cleared by software)

Page physical base address: 40 most significant bits of physical page address
(forces pages to be 4KB aligned)

XD: Disable or enable instruction fetches from this page.